

TIP100/101/102

SemiHow
Know-How for Semiconductor

TIP100/101/102

Monolithic Construction With Built In Base-Emitter Shunt Resistors

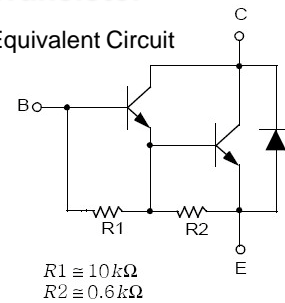
- High DC Current Gain : $h_{FE}=1000$ @ $V_{CE}=4V$, $I_C=3A$ (Min.)
- Collector-Emitter Sustaining Voltage
- Low Collector-Emitter Saturation Voltage
- Industrial Use
- Complementary to TIP105/106/107

Absolute Maximum Ratings $T_a=25^\circ\text{C}$ unless otherwise noted

CHARACTERISTICS	SYMBOL	RATING	UNIT
Collector-Base Voltage : TIP100 : TIP101 : TIP102	V_{CBO}	60 80 100	V V V
Collector-Emitter Voltage : TIP100 : TIP101 : TIP102	V_{CEO}	60 80 100	V V V
Emitter-Base Voltage	V_{EBO}	5	V
Collector Current(DC)	I_C	8	A
Collector Current(Pulse)	I_{CP}	15	A
Base Current	I_B	1	A
Collector Dissipation($T_a=25^\circ\text{C}$)	P_C	2	W
Collector Dissipation($T_c=25^\circ\text{C}$)	P_C	80	W
Junction Temperature	T_J	150	$^\circ\text{C}$
Storage Temperature	T_{STG}	-65~150	$^\circ\text{C}$

NPN Epitaxial Silicon Darlington Transistor

Equivalent Circuit



TO-220

1. Base
2. Collector
3. Emitter



Electrical Characteristics $T_a=25^\circ\text{C}$ unless otherwise noted

CHARACTERISTICS	SYMBOL	Test Condition	Min	Max	Unit
Collector-Emitter Sustaining Voltage : TIP100 : TIP101 : TIP102	$V_{CEO(SUS)}$	$I_C=30\text{mA}$, $I_B=0$	60 80 100		V V V
Collector Cut-off Current : TIP100 : TIP101 : TIP102	I_{CEO}	$V_{CE}=30V, I_B=0$ $V_{CE}=40V, I_B=0$ $V_{CE}=50V, I_B=0$		50 50 50	μA μA μA
Collector Cut-off Current : TIP100 : TIP101 : TIP102	I_{CBO}	$V_{CE}=60V, I_E=0$ $V_{CE}=80V, I_E=0$ $V_{CE}=100V, I_E=0$		50 50 50	μA μA μA
Emitter Cut-off Current	I_{EBO}	$V_{EB}=5V, I_C=0$		2	mA
DC Current Gain	h_{FE}	$V_{CE}=4V, I_C=3A$ $V_{CE}=4V, I_C=8A$	1000 200	20000	
Collector-Emitter Saturation Voltage	$V_{CE(sat)}$	$I_C=3A, I_B=6\text{mA}$ $I_C=8A, I_B=80\text{mA}$		2 2.5	V V
Base-Emitter ON Voltage	$V_{BE(on)}$	$V_{CE}=4V, I_C=8A$		2.8	V
Output Capacitance	C_{ob}	$V_{CB}=10V, I_E=0$, $f=0.1\text{MHz}$		200	pF

* Pulse Test: $PW \leq 300\mu\text{s}$, Duty Cycle $\leq 2\%$

Typical Characteristics

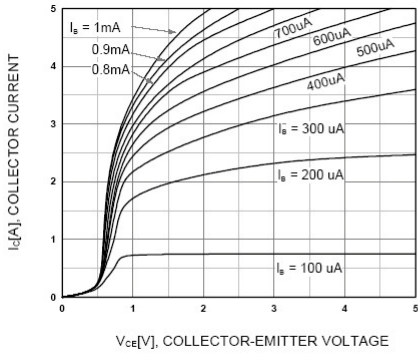


Figure 1. Static Characteristic

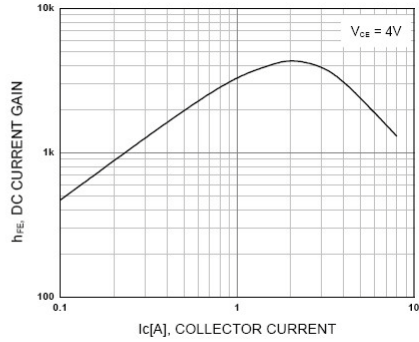


Figure 2. DC current Gain

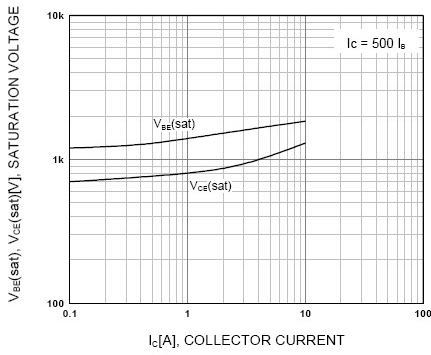


Figure 3. Collector-Emitter Saturation Voltage
Base-Emitter Saturation Voltage

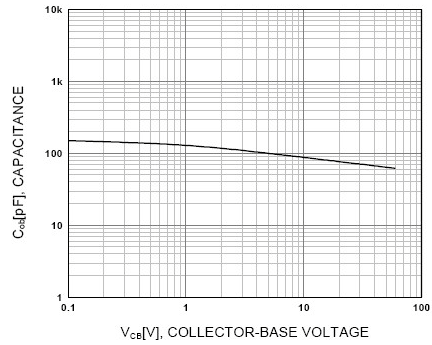


Figure 4. Collector Output Capacitance

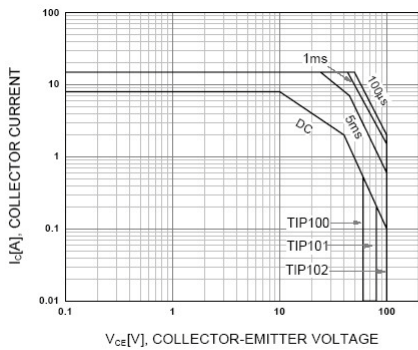


Figure 5. Safe Operating Area

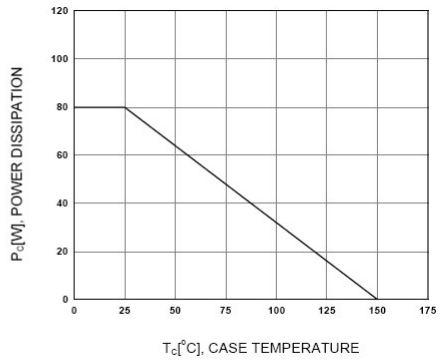
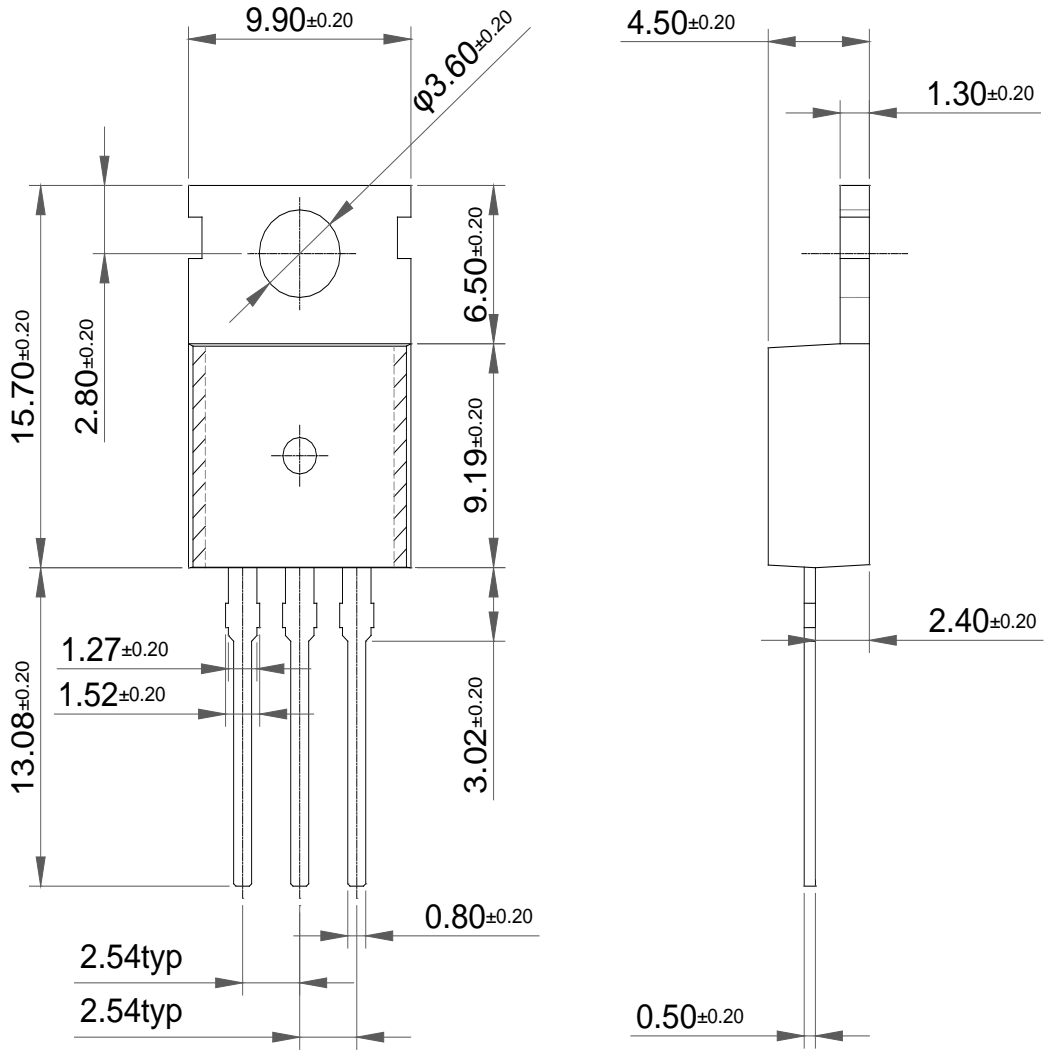


Figure 6. Power Derating

Package Dimension

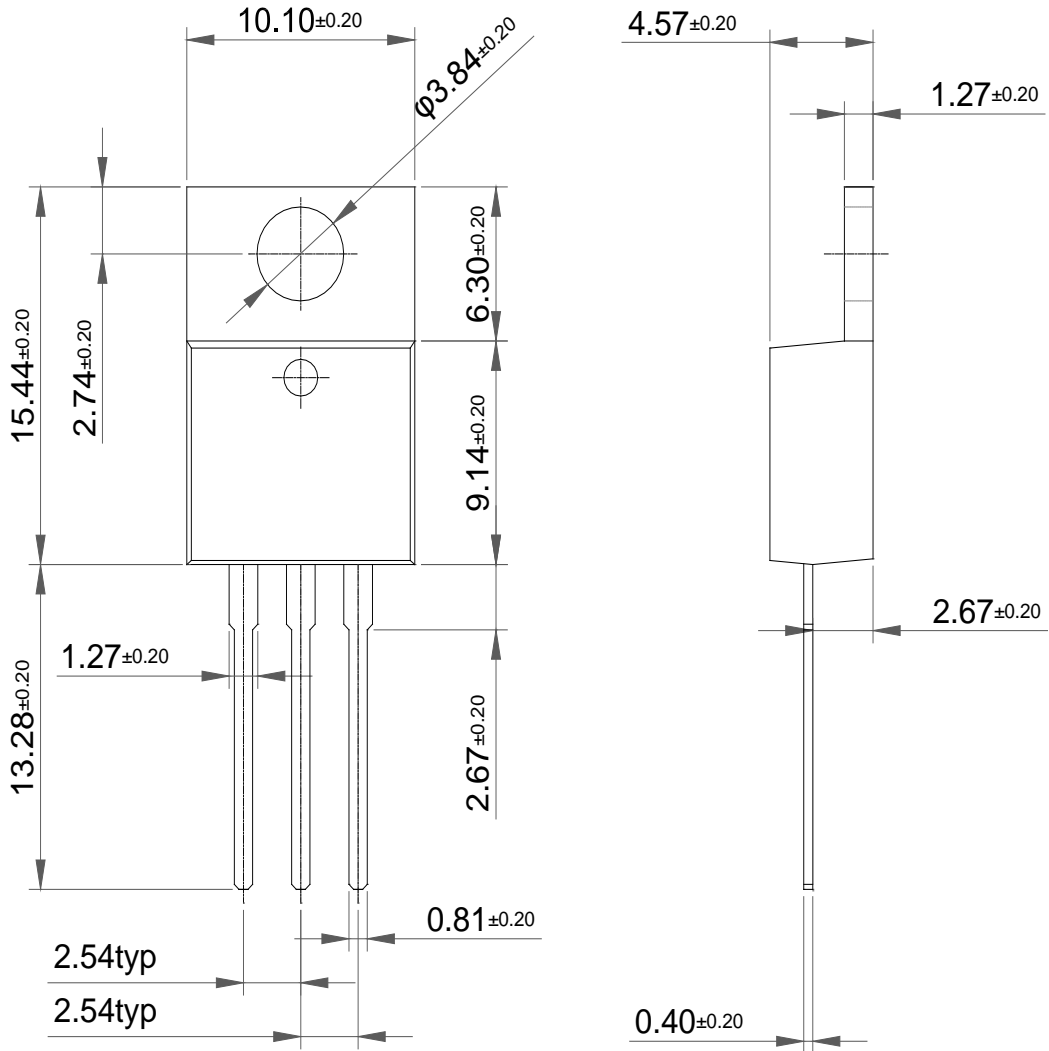
TO-220 (A)



Dimensions in Millimeters

Package Dimension

TO-220 (B)



Dimensions in Millimeters